

**FERSA'S BEST SPARE PARTS
FOR THE MOST DEMANDING
HEAVY DUTY APPLICATIONS**

Differentials



POSITION	Fersa
HL 2/30 * HL 2/31 * HL 2/43 * HL 2/44 * HL 2/46 * HL 2/47	
Differential right	32020 XF
Differential left	32014 XF
Bevel pinion rear	F 15184
Differential right	33017 F
Differential left	JM 720249/JM 720210
Input shaft front	32312 F
Output shaft front	33116 F
Output shaft rear	QJ 211 FM/C3
HL 6/1 * HL 6/3	
Bevel pinion front	F 15253
Bevel pinion rear	F 15254
Differential right	32024 XF
Differential left	32020 XF
HL 7/52 DGS-11,5)	
Bevel pinion front	F 15253
Bevel pinion rear	F 15257
Differential right	32028 XF
Differential left	F 15208
HL 8/1 DCS-13	
Bevel pinion front	F 15253
Bevel pinion rear	F 15257
Differential right	32028 XF
Differential left	F 15208
Inboard	33022 F
HO 6/1 * HO 6/2 * HO 6/3 * HO 6/5 * HO 6/6	
Bevel pinion front	F 15253
Bevel pinion rear	F 15254
Differential right	32024 XF
Differential left	32020 XF
HO 8/1 DCL-13 * HO 8/1 DCLS-13	
Bevel pinion front	F 15253
Bevel pinion rear	F 15257
Differential right	32028 XF
Differential left	F 15208
Inboard	33022 F

Wheel End



AXLE	POSITION	Fersa
NR		
Trailer axle	Inboard	33217 F
Trailer axle	Outboard	32311 F
TE * TZ		
Trailer axle	Inboard	33020 F
Trailer axle	Outboard	33116 F
TE * TL * TZ		
Trailer axle	Hub Unit	F 15100

Wheel End



AXLE	POSITION	Fersa
ACTROS		
Front axle	Inboard	F 15193
Front axle	Inboard	F 15271
Front axle	Inboard	32314 F
Front axle	Inboard	33217 F
Front axle	Outboard	32312 F
Front axle	Outboard	32310 F
Front axle	Outboard	33019 F
Front axle	Outboard	32311 F
Rear axle	Inboard	33022 F
Rear axle	Inboard	33021 F
Rear axle	Inboard	F 15208
Rear axle	Inboard	33020 F
Rear axle	Outboard	F 15208
Rear axle	Outboard	33220 F
Rear axle	Outboard	F 15267
Rear axle	Outboard	33116 F
ATEGO		
Front axle	Inboard	F 15193
Front axle	Inboard	F 15271
Front axle	Inboard	32314 F
Front axle	Inboard	33017 F
Front axle	Inboard	33213 F
Front axle	Inboard	33020 F
Front axle	Inboard	F 15051 C
Front axle	Outboard	32306 F
Front axle	Outboard	33207 F
Front axle	Outboard	32312 F
Front axle	Outboard	32310 F
Front axle	Outboard	33208 F
Front axle	Outboard	33019 F
Rear axle	Inboard	33021 F
Rear axle	Inboard	33022 F
Rear axle	Inboard	33017 F
Rear axle	Outboard	F 15208
Rear axle	Outboard	33220 F
Rear axle	Outboard	F 15267
Rear axle	Outboard	33014 F
AXOR		
Front axle	Inboard	32314 F
Front axle	Inboard	F 15193
Front axle	Inboard	F 15271
Front axle	Inboard	F 15051 C
Front axle	Inboard	33217 F
Front axle	Outboard	32310 F
Front axle	Outboard	32312 F
Front axle	Outboard	33019 F
Rear axle	Inboard	33022 F
Rear axle	Inboard	33217 F
Rear axle	Inboard	33021 F
Rear axle	Outboard	F 15208
Rear axle	Outboard	32311 F
Rear axle	Outboard	33220 F
Rear axle	Outboard	F 15267

Gearboxes

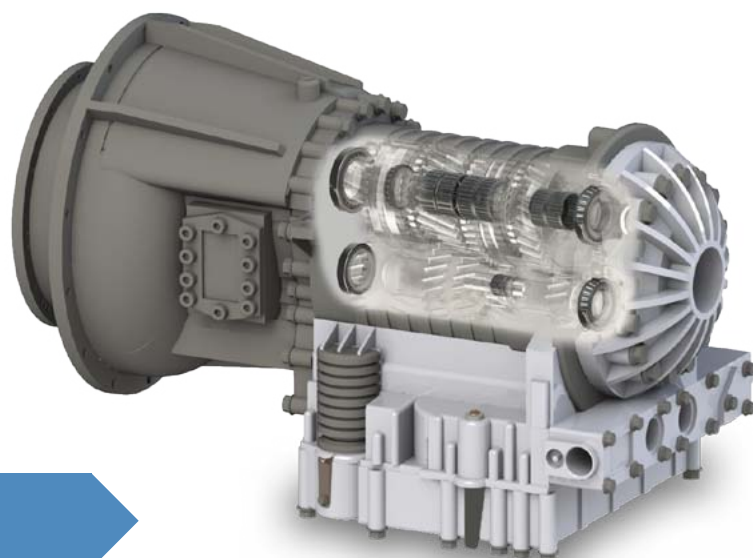


POSITION	Fersa
G100-12	
Input shaft front	F 15133
Main shaft front	CONE F 15110
Main shaft intermediate	CONE F 15131
Main shaft intermediate	CONE LM 503349
Main shaft rear	CONE F 15134
Counter shaft front	529/520 X1
Counter shaft rear	CONE F 15132
G210-16/14,2-0,83	
Input shaft front	F 15190
Main shaft front	CONE 4367 X
Main shaft intermediate	HM 204043/HM 204010
Main shaft intermediate	33210 F
Main shaft intermediate	CONE F 15244
Main shaft intermediate	32011 XF
Main shaft intermediate	32011 XF
Main shaft rear	F 15192
Counter shaft front	529/520 X1
Counter shaft rear	F 15245
Output shaft front	16017/90 C3
Oil pump	6009 C3
Output shaft rear	6217/80 C3
G211-16/17,3-1,00	
Input shaft front	F 15190
Main shaft front	CONE F 15249
Main shaft intermediate	CONE F 15244
Main shaft intermediate	32011 XF
Main shaft rear	F 15192
Counter shaft front	529/520 X1
Counter shaft rear	F 15245
Output shaft front	16017/90 C3
Output shaft rear	6217/80 C3
Oil pump	6009 C3
G240-16/11,7-0,69	
Input shaft front	F 15190
Main shaft front	CONE 4367 X
Main shaft intermediate	CONE F 15113
Main shaft intermediate	CONE F 15111
Main shaft rear	F 15192
Counter shaft front	529/520 X1
Counter shaft rear	F 15245
Output shaft front	16017/90 C3
Oil pump	6009 C3
Output shaft rear	6217 C3
Output shaft rear	6217/80 C3

Gearboxes



POSITION	Fersa
G241-16/17,03-1,00	
Input shaft front	F 15190
Main shaft front	CONE F 15249
Main shaft intermediate	CONE F 15113
Main shaft intermediate	CONE F 15111
Main shaft rear	F 15192
Counter shaft front	529/520 X1
Counter shaft rear	F 15245
Output shaft front	16017/90 C3
Oil pump	6009 C3
Output shaft rear	6217/80 C3
G330 * G330-12/11,63-0,77	
Input shaft front	F 15190
Main shaft front	CONE F 15249
Main shaft intermediate	CONE F 15113
Main shaft intermediate	CONE F 15269
Main shaft rear	F 15192
Counter shaft front	529/520 X1
Output shaft front	16017/90 C3
Output shaft rear	6217/80 C3
G85-6	
Input shaft front	F 18042
Main shaft rear	F 18042
Counter shaft rear	F 19069
GO210-6/6,5-0,8	
Input shaft front	F 15190
Main shaft front	CONE 4367 X
Main shaft rear	F 15265
Counter shaft front	529/520 X1
Counter shaft rear	F 15161



Fersa the brand mechanics trust!